

Multilingual Living Information



A New Residency Management System & Resident Registration System for Foreign Residents (*Information for after July 9, 2012)

[▲ Back to the top of A New Residency Management System & Resident Registration System for Foreign Residents](#)

What follows is an outline of the residency management system and relevant procedures mainly for mid- to long-term residents.

Regarding the system and procedures for special permanent residents, see below.

Ministry of Justice, Immigration Bureau Website: http://www.moj.go.jp/tetsuduki_shutsunyukoku.html

1 What is the new residency management system?

1-1 Outline of the system

The new residency management system is a new unified system to replace the double-system under the Alien Registration Act and Immigration Control Act for foreign nationals who have a residence status and reside in Japan for a mid to long-term (hereafter: 'mid- to long-term residents'). The amended new unified immigration control system has been introduced to enable accurate and continued ascertainment of residence conditions. The new residency management system will be applied to 'mid- to long-term residents'. The new system does not apply to people in the following categories.

- Persons granted permission to stay for less than 3 months or less
- Persons granted 'Temporary Visitor' status
- Persons granted 'Diplomat' or 'Official' status
- Persons recognized by the Ministry of Justice ordinance as equivalent to the foreign national in the above three categories
- Special permanent residents
- Persons with no resident status *

This system applies to mid to long-term residents include people such as those who are married to a Japanese national as well as Japanese descendents ('nikkei), whose status of residence is 'Spouse or Child of Japanese National,' 'Long Term Resident,' etc., those working for an employer in Japan, (whose status is 'Engineer,' 'Specialist in Humanities/International Services,' etc.) as well as technical interns, students, and permanent residents. It will not apply to those visiting Japan for a short period of time as a tourist.

* While illegal residents can be registered under the present alien registration system, they cannot be registered under the new residency system. Any foreign national illegally staying in Japan is advised to immediately visit the nearest Regional Immigration Office and follow the necessary procedures. For more details, please see the 'Information on Procedures to Follow at Immigration Offices' on the Immigration Bureau's website. (http://www.moj.go.jp/nyuukokukanri/kouhou/nyukan_nyukan87.html)

Main changes from the residency management system in operation prior to July 9, 2012



Multilingual Living Information



A New Residency Management System & Resident Registration System for Foreign Residents (*Information for after July 9, 2012)

[▲ Back to the top of A New Residency Management System & Resident Registration System for Foreign Residents](#)

- Abolition of the alien registration system, issuance of a 'Residence Card'
- Introduction of a special re-entry permit system
- Maximum period of permitted length of stay extended to 5 years (please refer to [B Status of residence, 1 Confirmation of status of residence](#))

(1) Issuing a 'Residence Card'

A Residence Card will be issued to mid- to long-term residents, after July 9, 2012, when granted permission related to residence, such as landing permission, permission for a change in resident status or permission for an extension of the period of stay.

Also, the present Alien Registration Card will act as a Residence Card for a certain period of time (*)

(*) Permanent residents:

July 8, 2015 or the date of the person's 16th birthday, whichever is the earlier

Mid- to long-term residents other than permanent residents:

Until the day of expiry of the present period of stay, or until the day of one's 16th birthday, whichever comes first.

(The maximum period is until July 8, 2015)

Locations where Residence Cards can be obtained immediately when a new landing permit is obtained are, for the time being, as follows.

- Narita Airport
- Haneda Airport
- Chubu Airport
- Kansai Airport

Mid- to long-term residents who have not been issued a Residence Card when they newly arrive in Japan, will have their card sent to them by registered post after they have registered their address at their local municipal office.



Multilingual Living Information



A New Residency Management System & Resident Registration System for Foreign Residents (*Information for after July 9, 2012)

[Back to the top of A New Residency Management System & Resident Registration System for Foreign Residents](#)

Items listed on the Residence Card

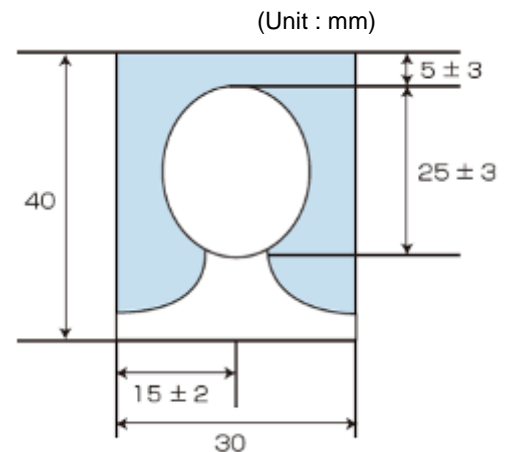
- ① Photograph
- ② Name, date of birth, sex, nationality/region
- ③ Address (the address of your main place of residence in Japan)
- ④ Status, period of stay and date of expiration
- ⑤ Permit documents and date
- ⑥ Residence Card number, date of issue and period of validity date
- ⑦ Limits on work (permitted / not permitted)
- ⑧ Main points for when a permit has been received for activities outside those permitted by the status

Note: All or part of the information printed on a residence card will be recorded in an IC chip embedded in the card to prevent the Residence Card from being forged.

(Front of the card)



You need to submit a photo as specified below when you submit an application or report that involves the issuance of a residence card.



- * Hats, etc. should be removed and face straight ahead
- * No background or shadows
- * Must be a clear image
- * Must be taken within 3 months prior to submission
- * Photo of the applicant only
- * Photo measurements are as above (excluding the (white) border). (Face measurements are from the top of the head (including hair) to the point of the chin)



Multilingual Living Information



A New Residency Management System & Resident Registration System for Foreign Residents (*Information for after July 9, 2012)

[▲ Back to the top of A New Residency Management System & Resident Registration System for Foreign Residents](#)

(Reverse side of the card)

住居地記載欄		
届出年月日	住居地	記載者印
2014年12月1日	東京都港区港南5丁目5番30号	東京都港区長
資格外活動許可欄		
許可: 原則週 28 時間以内・風俗営業等の従事を除く		在留期間更新等許可申請欄
		在留資格変更許可申請中

When you change your address, this is the column where your new address will be listed after the change.

If an application for an extension of the period of stay or for a change in resident status, the fact that the application is pending will be entered in this section.

Validity period of a Residence Card

Permanent resident:

16 years or older --- 7 years from the date of issuance

Under 16 years old --- until the individual's 16th birthday

Persons other than permanent residents:

16 years or older --- the expiration date of the period of stay

Under 16 years old --- the expiration date of the period of stay, or the individual's 16th birthday, or whichever comes first

(2) Special re-entry permit system

Foreign nationals holding a valid passport and Residence Card, who will be re-entering Japan within 1 year of their departure or prior to the expiry of their period of stay, whichever is the earlier, will, in principle, not be required to apply for a re-entry permit. An alien registration certificate (card) deemed to be equivalent to a Residence Card or Special Permanent Resident Certificate is also permissible. There are no relief measures for stays abroad even 1 day more than 1 year when you have departed from Japan using a special re-entry permit. It is necessary to present your Residence Card at departure as well as putting a check mark in the 'Departure with Special Re-entry Permission' box on the Disembarkation / Embarkation Card for reentrants to indicate your intention to reenter Japan. If you do not put a check mark, you will be considered as a person leaving Japan (someone returning to their home country) and will not be able to enter Japan unless you apply for a visa at a Japanese consulate overseas, etc.



Multilingual Living Information



A New Residency Management System & Resident Registration System for Foreign Residents (*Information for after July 9, 2012)

[▲ Back to the top of A New Residency Management System & Resident Registration System for Foreign Residents](#)

Sample of a DISEMBARKATION CARD / EMBARKATION CARD FOR REENTRANT (ED CARD)

外国人用 (再入国)		再入国入国記録 DISEMBARKATION CARD FOR REENTRANT ②		再入国出国記録 EMBARKATION CARD FOR REENTRANT ①	
				出入国記録番号 AAA 9120100	
				区分 71	
氏名 (漢字) 氏名 (漢字) Family Name Given Names Name		氏名 (漢字) 氏名 (漢字) Family Name Given Names Name			
国籍・地域 Nationality/Region		国籍・地域 Nationality/Region		生年月日 Date of Birth	
生年月日 Date of Birth		航空便名・船名 Last Flight No./Vessel		航空便名・船名 Flight No./Vessel	
以下の質問について、該当するものに☑を記入し、署名(特別永住者の方は署名のみ)して下さい。 Please check the applicable items and put your signature. (For special permanent resident, please put your signature only.)		1 あなたは、日本国又は日本国以外の国において、刑事事件で有罪判決を受けたことがありますか？ Have you ever been found guilty in a criminal case in Japan or another country?		2 あなたは、現在、麻薬、大麻、あへん若しくは覚せい剤等の規制薬物又は銃砲、刀剣類若しくは火薬類を所持していますか？ Do you presently have in your possession narcotics, marijuana, opium, stimulants, or other drugs, swords, explosives or other such items?	
		3 あなたは、現在、現金をいくら所持していますか？ How much money in cash do you presently have in possession?		3 あなたは、現在、現金をいくら所持していますか？ How much money in cash do you presently have in possession?	
		(円, \$, W, 元, その他 Others ())		(円, \$, W, 元, その他 Others ())	
以上の記事内容は事実と相違ありません。 I hereby declare that the statement given above is true and accurate.		署名 Signature		署名 Signature	
●活字で記入して下さい。黒色又は青色のペンで記入して下さい。 ●印は捺印して下さい。 ●カードは再入国時に入国審査官へ提出するものです。 ●Please type or print clearly. Write by using black or blue pen. ●Stamp by using blue or black ink. ●CARD ② is to be submitted to the Immigration Inspector at the time of your reentry into Japan.				①なし再入国許可による出国を希望します。 Departure with Special Re-entry Permission. (希望する場合は☑にチェックしてください。)(Please check the box.)	
				みなし再入国許可で再入国できる期間は出国の日から1年間又は在留期限までのいずれか短い期間です。(特別永住者は出国の日から2年間です。)(Special re-entry permission is valid for 1 year from the departure date or until expiry of the period of stay, whichever comes first. この期間を延長することはできません。 This period of validity cannot be extended.	
				官用欄 Official Use Only	
				KA7AAA912010071	

